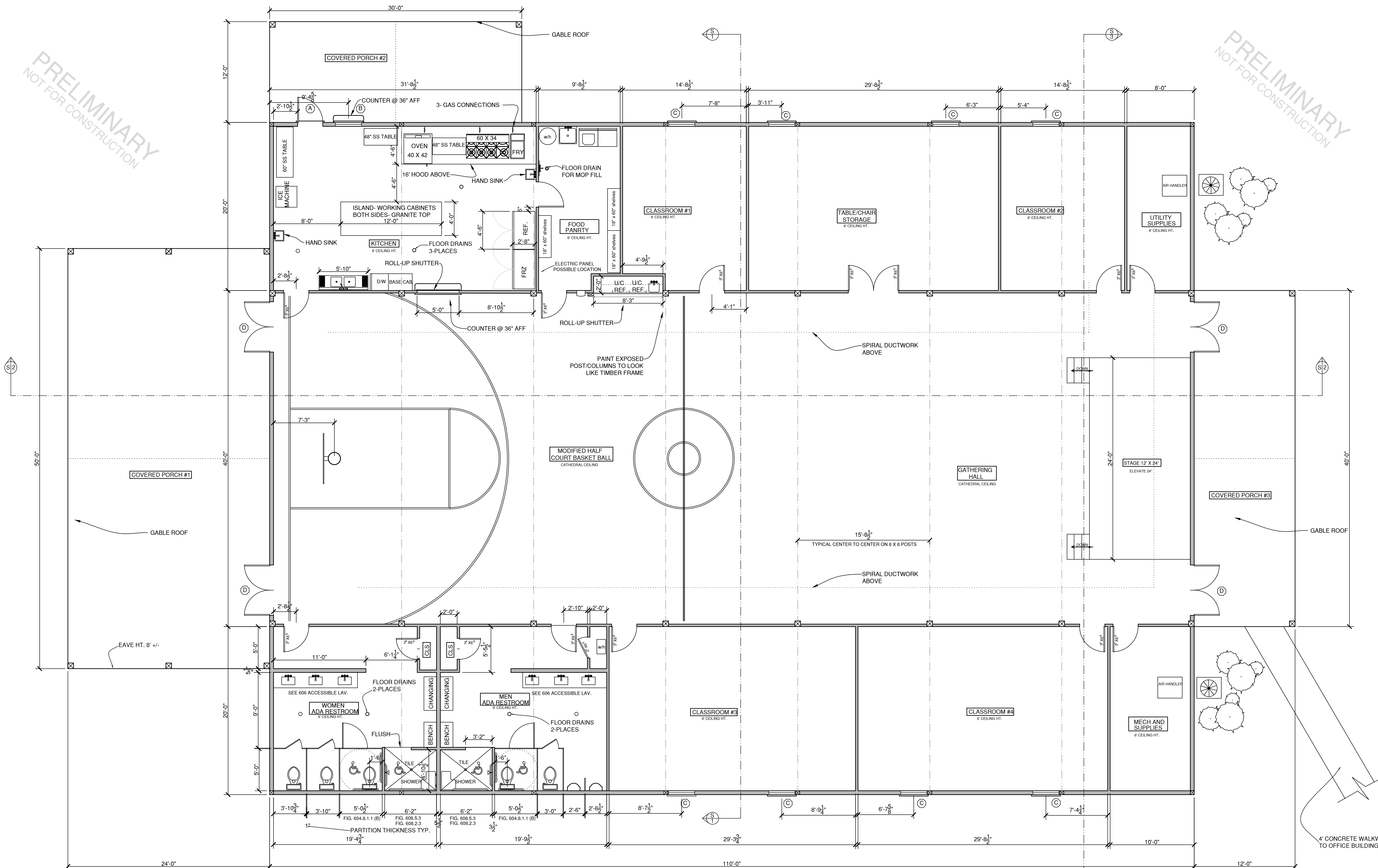


PRELIMINARY  
NOT FOR CONSTRUCTION

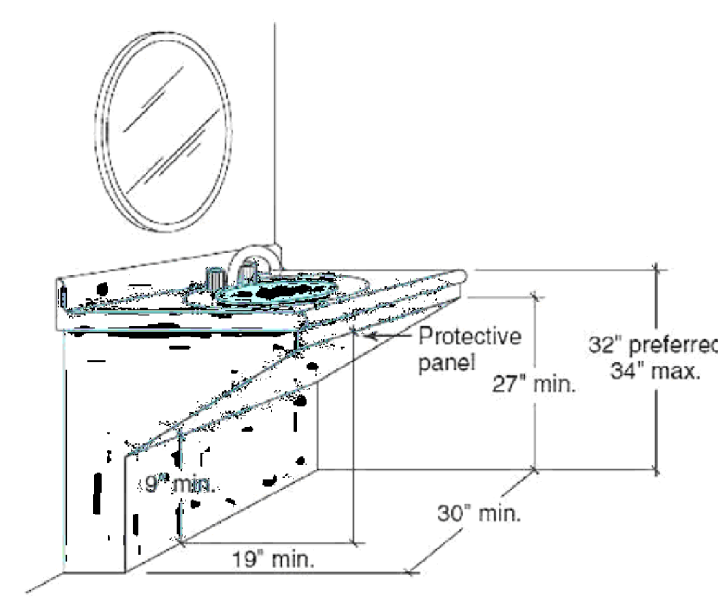
PRELIMINARY  
NOT FOR CONSTRUCTION

PROJECT #  
DATE: 4-20-2023  
REVISION:

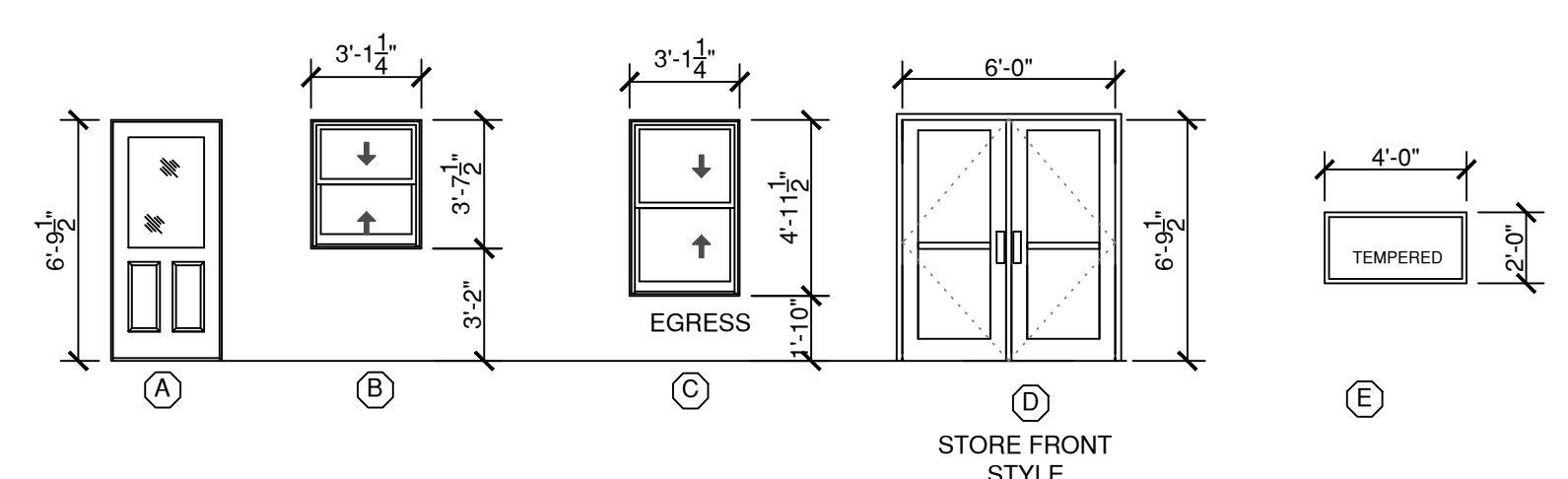


**NEW GATHERING BUILDING FOR:  
MOUNT CALVARY BAPTIST CHURCH  
BANNER ELK, NC**

ALL STATE AND LOCAL CODES,  
ORDINANCES, REGULATIONS, ETC.,  
SHALL TAKE PRECEDENCE OVER  
ANYTHING SHOWN OR DESCRIBED  
WHERE SAME ARE AT VARIANCE

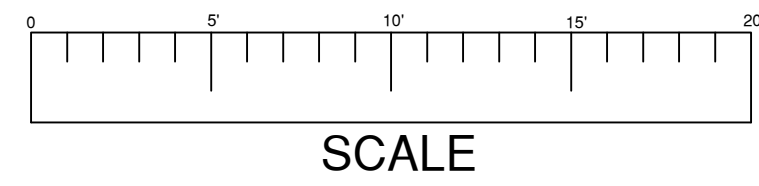


← LAVATORY



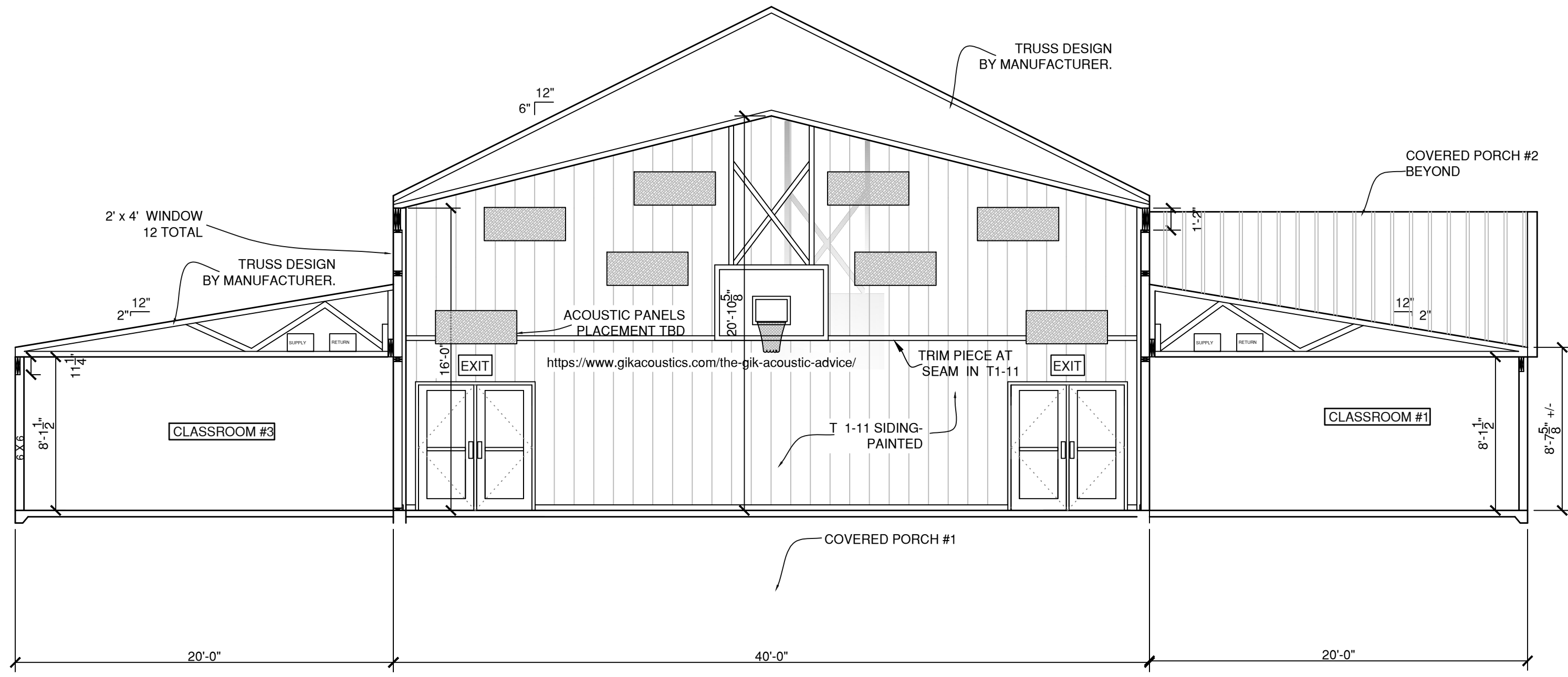
**FLOOR PLAN**  
SCALE 3/16" = 1'-0"  
8800 SQ.FT. HEATED  
2040 SQ.FT. COVERED PORCHES

ALL DIMENSIONS ARE FROM FACE OF STUDS  
UNLESS OTHERWISE NOTED

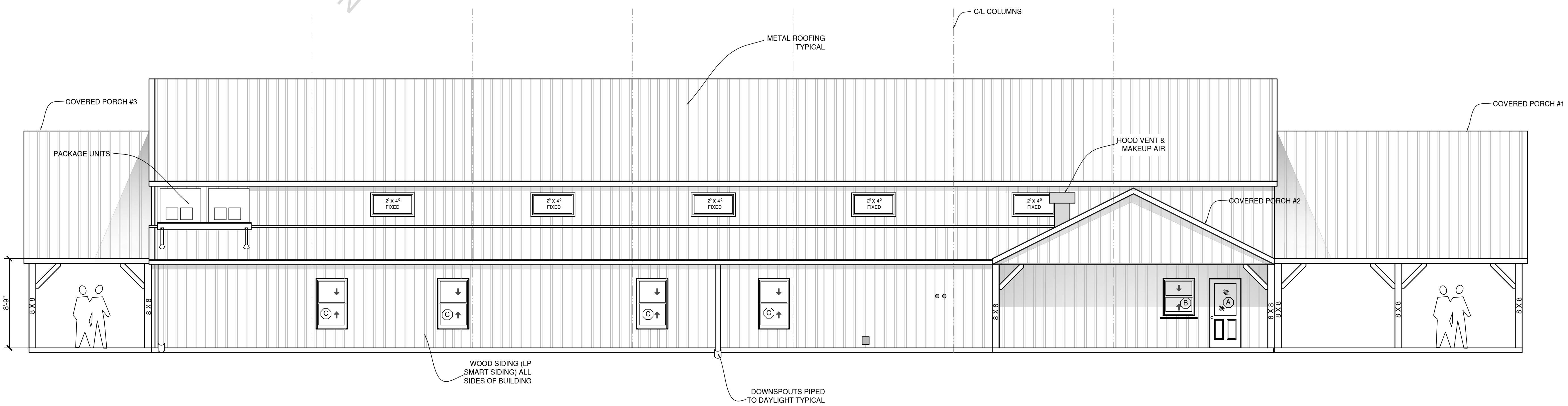


SHEET  
NO.  
**A-1**

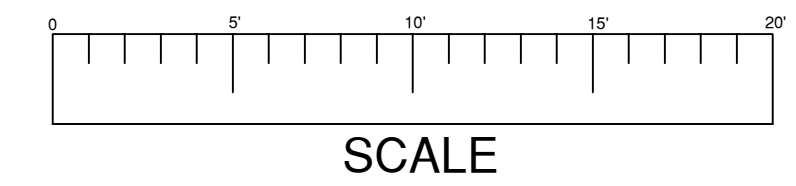
ROOM FINISH SCHEDULE							
ROOM NAME	FLOOR		BASE	WALL		CEILING	REMARKS
	MAT.	FINISH		MAT.	FINISH	MAT.	
KITCHEN	CONC	TILE	TILE	GWB	PAINT	GWB/PAINT	ALL SURFACES WIPEABLE
PANTRY	CONC	TILE	TILE	GWB	PAINT	GWB/PAINT	ALL SURFACES WIPEABLE
WOMEN'S BATH	CONC	TILE	TILE	GWB	PAINT	GWB/PAINT	ALL SURFACES WIPEABLE
MEN'S BATH	CONC	TILE	TILE	GWB	PAINT	GWB/PAINT	ALL SURFACES WIPEABLE
GATHERING	CONC	SEALED	WOOD	T1-11	PAINT	METAL/PAINT	COLOR TBD
CLASSROOM #1	CONC	CARPET	WOOD	GWB	PAINT	GWB/PAINT	
CLASSROOM #2	CONC	CARPET	WOOD	GWB	PAINT	GWB/PAINT	
CLASSROOM #3	CONC	CARPET	WOOD	GWB	PAINT	GWB/PAINT	
CLASSROOM #4	CONC	CARPET	WOOD	GWB	PAINT	GWB/PAINT	
CHAIR STORAGE	CONC	SEALED	WOOD	GWB	PAINT	GWB/PAINT	
MECHANICAL	CONC	SEALED	WOOD	GWB	PAINT	GWB/PAINT	
UTILITY	CONC	SEALED	WOOD	GWB	PAINT	GWB/PAINT	



**BUILDING SECTION**  
SCALE 3/16" = 1'-0"



**PROPOSED REAR ELEVATION**  
SCALE 3/16" = 1'-0"



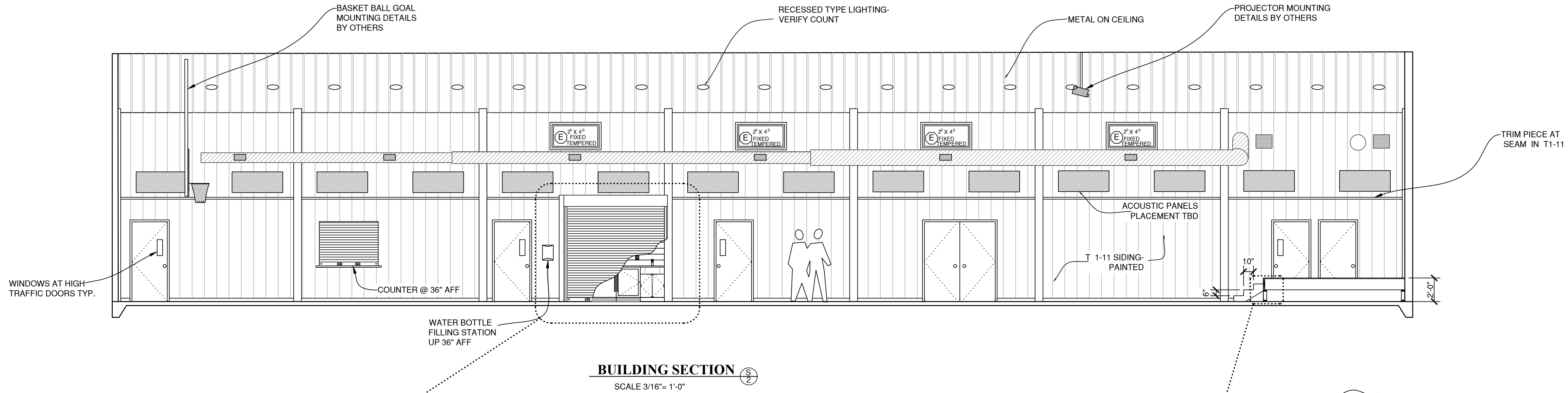
PRELIMINARY  
NOT FOR CONSTRUCTION

PROJECT #  
DATE: 4-20-2023  
REVISION:

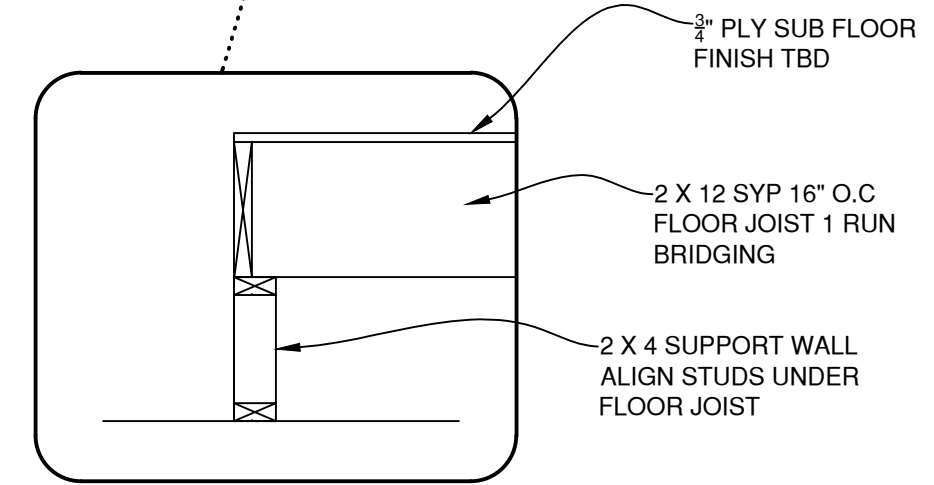
NEW GATHERING BUILDING FOR:  
MOUNT CALVARY BAPTIST CHURCH  
BANNER ELK, NC

ALL STATE AND LOCAL CODES, ORDINANCES, REGULATIONS, ETC., SHALL TAKE PRECEDENCE OVER ANYTHING SHOWN OR DESCRIBED WHERE SAME ARE AT VARIANCE

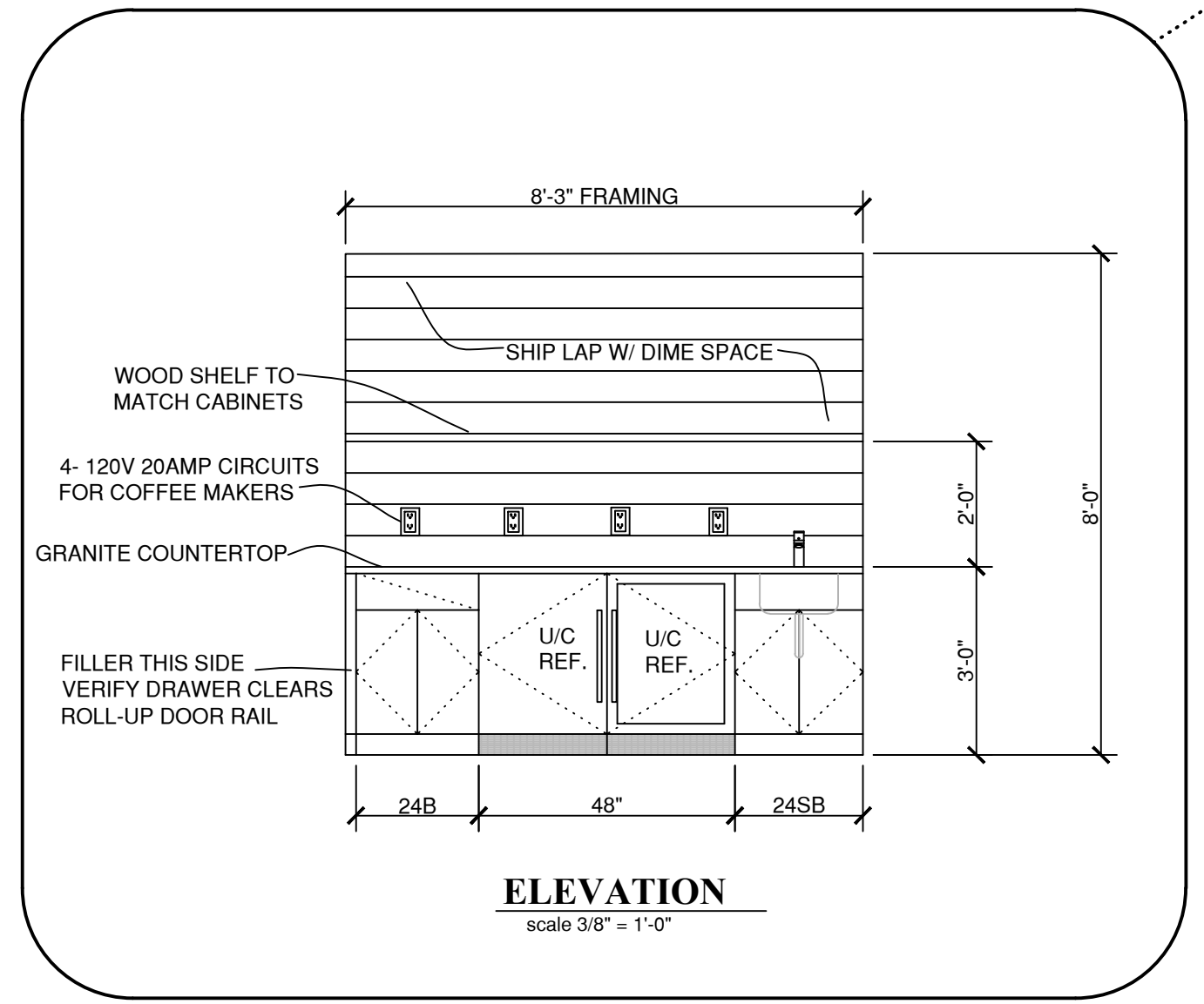
SHEET NO.  
**A-2**



**BUILDING SECTION 1**  
SCALE 3/16" = 1'-0"

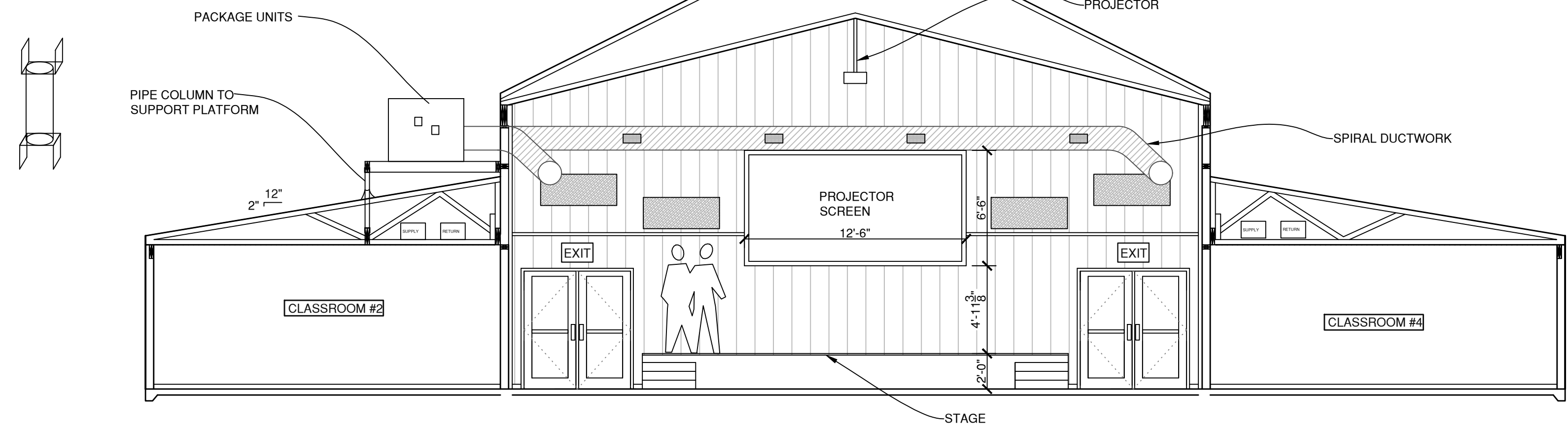


**STAGE PLATFORM SECTION**  
SCALE 3/4" = 1'-0"

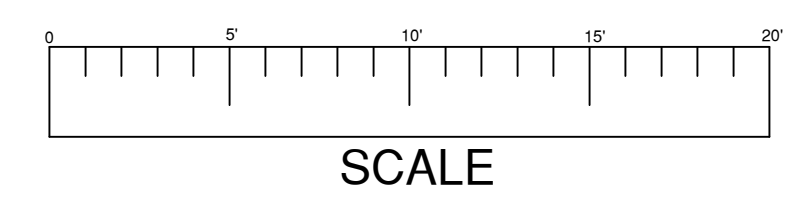


**ELEVATION**  
SCALE 3/8" = 1'-0"

PRELIMINARY  
NOT FOR CONSTRUCTION



**BUILDING SECTION 2**  
SCALE 3/16" = 1'-0"



PROJECT #  
DATE: 4-20-2023  
REVISION:

**NEW GATHERING BUILDING FOR:  
MOUNT CALVARY BAPTIST CHURCH  
BANNER ELK, NC**

ALL STATE AND LOCAL CODES, ORDINANCES, REGULATIONS, ETC., SHALL TAKE PRECEDENCE OVER ANYTHING SHOWN OR DESCRIBED WHERE SAME ARE AT VARIANCE

SHEET NO.  
**A-3**